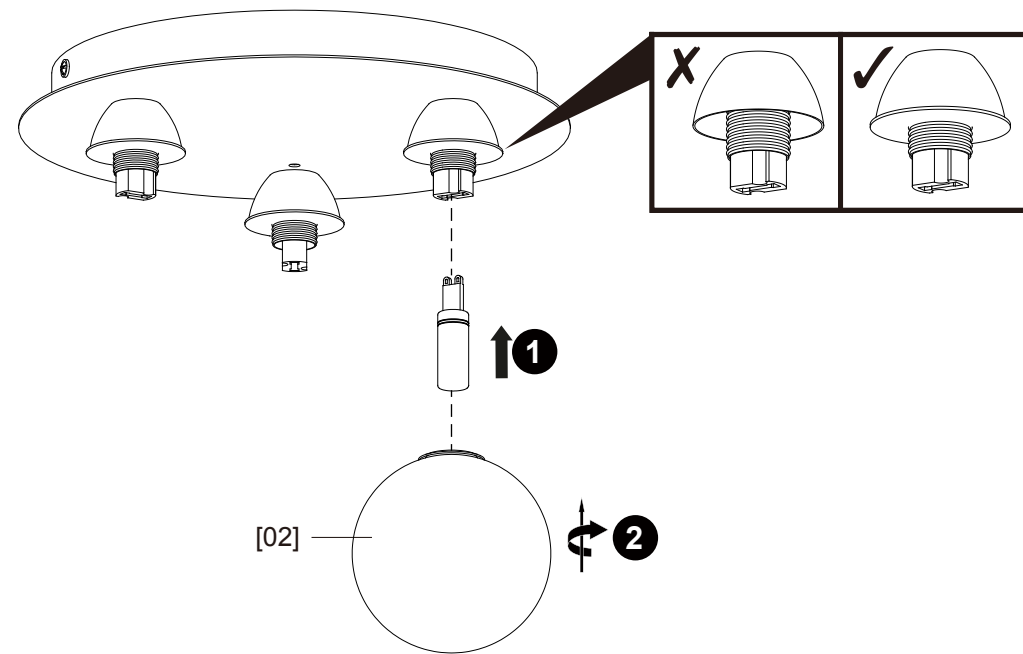


Step 5

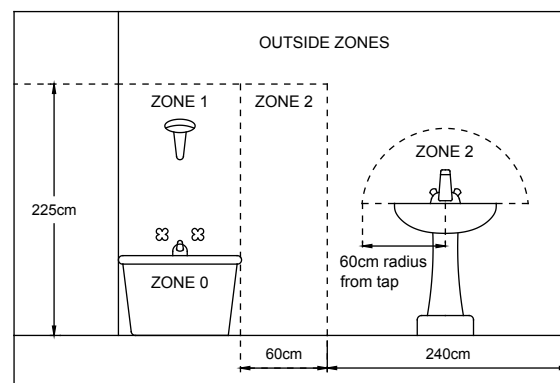


Maintenance

This fitting is designed for indoor use only and must be fitted to a DRY SURFACE as any dampness in plaster or paint can damage the finish. **Do not use polish or abrasive cleaner - just a soft dry cloth**

BULB REPLACEMENT

3x Max.5W LED G9 (check bulb dimensions in relation to space available)



Bathroom Zone Guide

This fitting is suitable for zone 2 and outside zones.

Please note:

This is a guide for household use.
Please consult a qualified electrician
for further assistance

Recycling electrical products

Waste electrical products should not be disposed of with household waste. Please recycle where facilities exist. Check with your Local Authority or local store for recycling advice.



If you require any further assistance,
you can contact us on
support@cosylite.co.uk

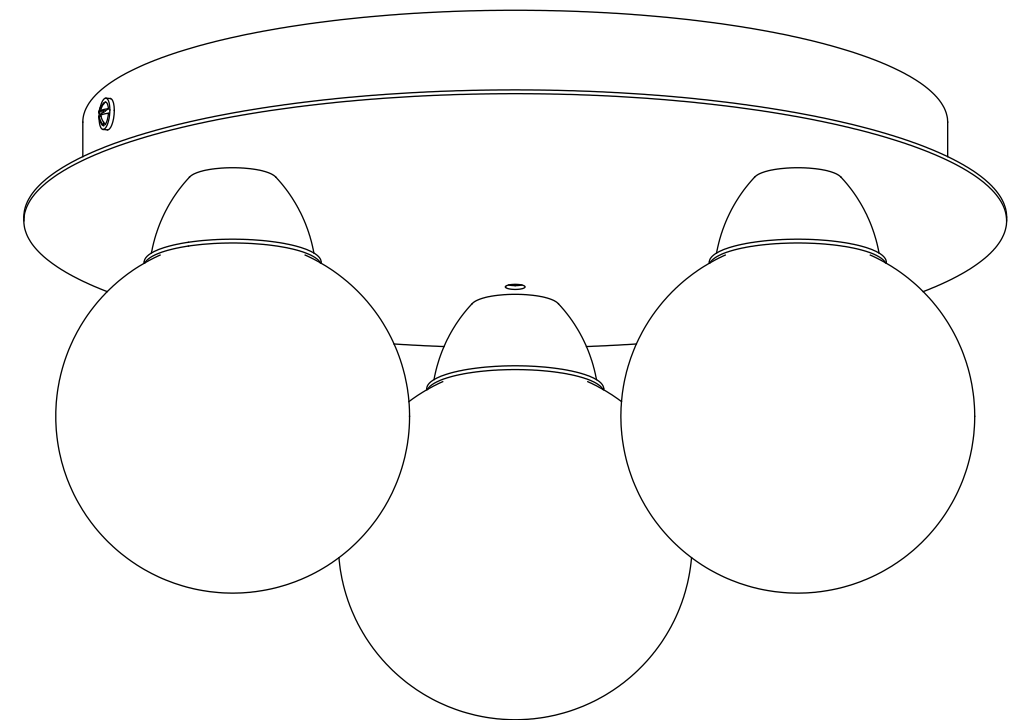
Made in China for COSYLYTE
Azgen Ltd., 1st Floor, Manor House, Main Road,
Ryehill, East Yorkshire, England, HU12 9NH
PreSmart Kft, H-1139 Budapest, Tahi u. 52. 111/4,
Hungary, EU



Bowen Bathroom 3 Light Ceiling Flush

4897146370281

4897146370298



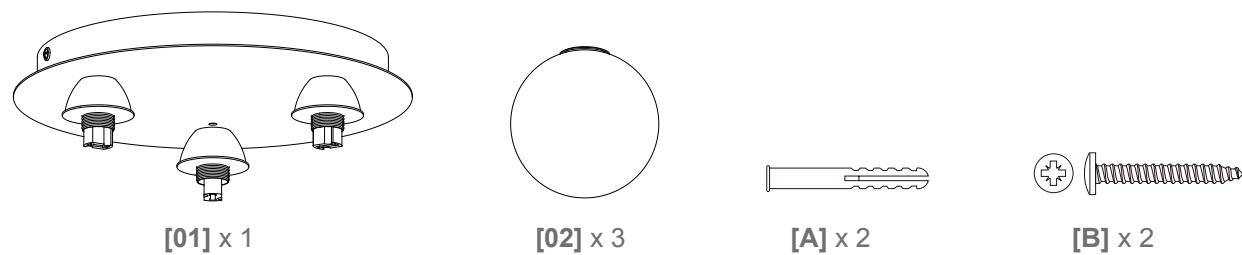
Instruction Manual

Important

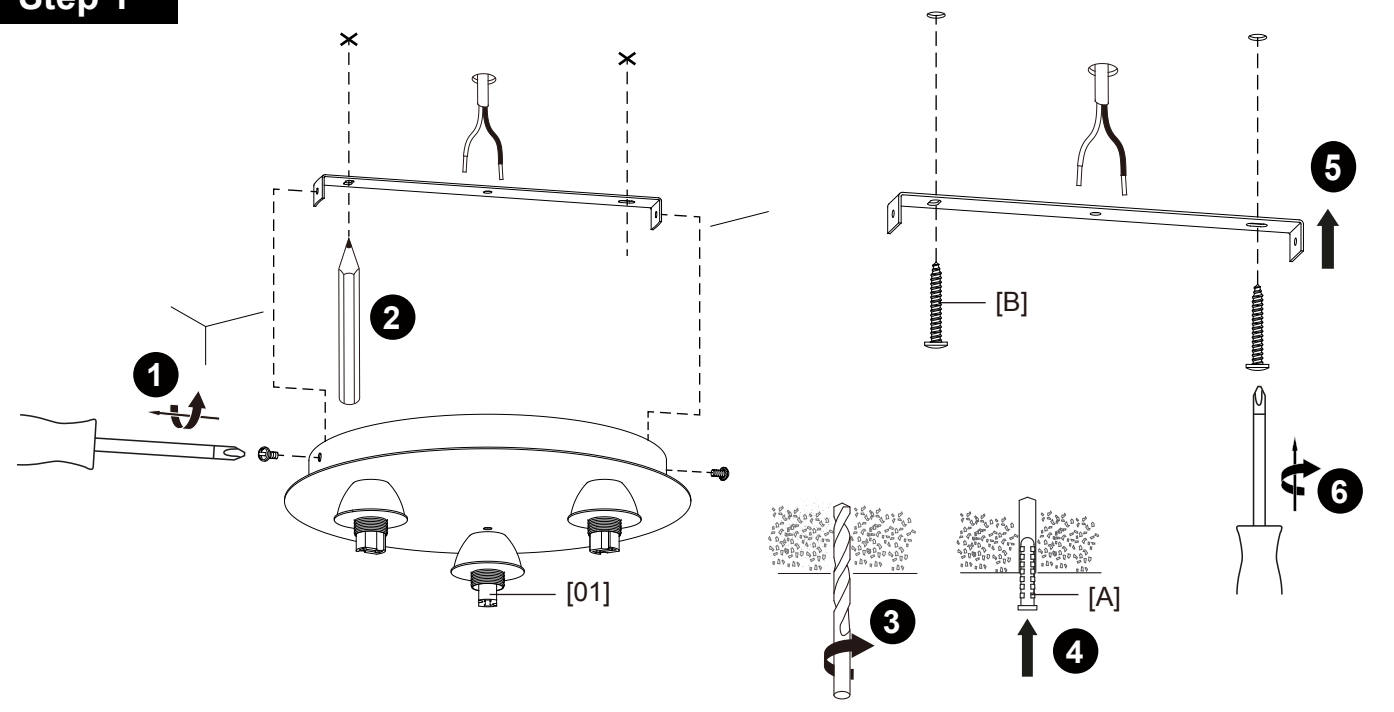
- Read these instructions carefully and remove all the packaging before assembling the unit.
- For your safety, this product must be installed in accordance with local Building Regulations.
- We recommend you employ a qualified electrician and that manufacturer's fitting instructions are followed.
- To prevent electrocution, switch off at the mains supply before installing or maintaining this fitting.
- Take care not to drill into any pipes or mains cables beneath the surface during mounting holes preparation.
- The product must be securely fixed to the mounting surface using the screws and wall plugs supplied.
- Always be sure to use the correct type and wattage of bulbs as indicated on the fitting. Never exceed the wattage stated.
- When changing the bulb, always switch off at the mains and allow the old bulb to cool down before handling. Dispose of used bulbs carefully.
- This fitting is Class II appliance. The product must not be earthed. If there are any incoming earth cables, they must be joined together and connected to a separate terminal block which is then well insulated with good quality insulation tape. This is to ensure earth continuity throughout your property.
- The luminaire is designed for indoor use only. If being fitted in a bathroom a 30mA RCD must be used.
- **CAUTION:** IP44 is guaranteed when the product is properly installed and sealed.
- **CAUTION:** This item contains glass - use care when handling to avoid damage and injury.

Installation

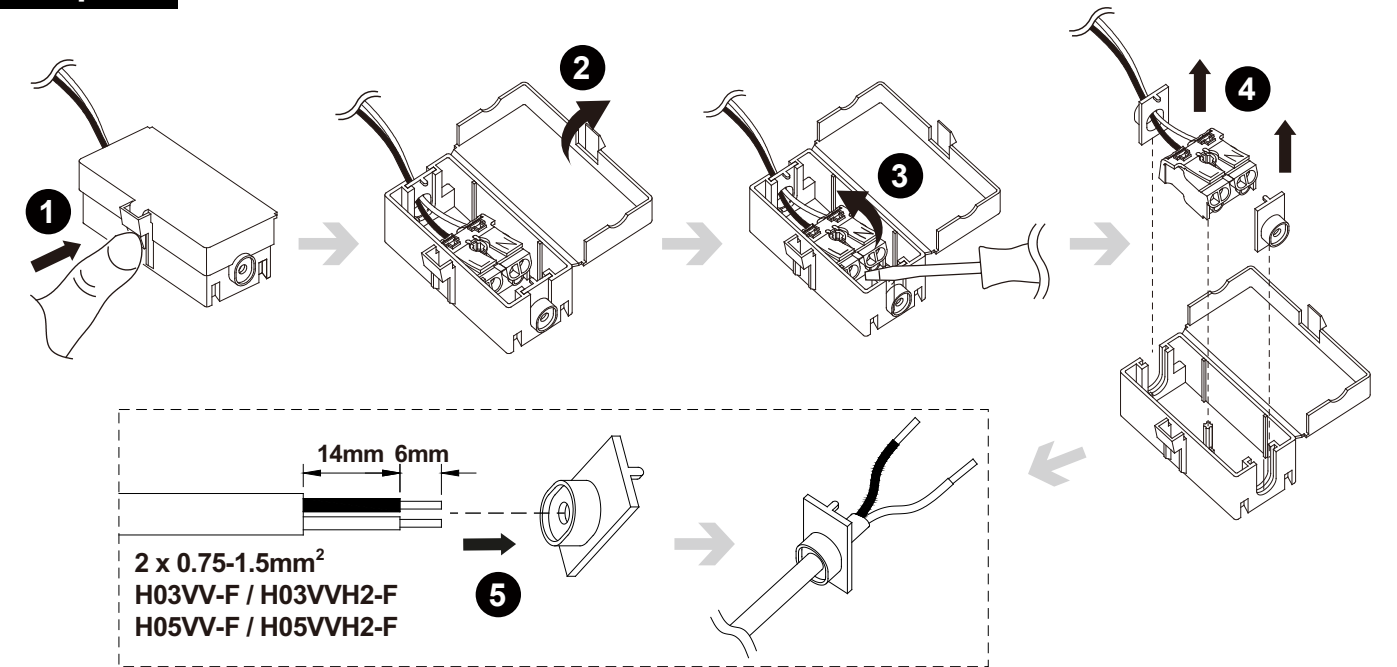
Supplied Part List:



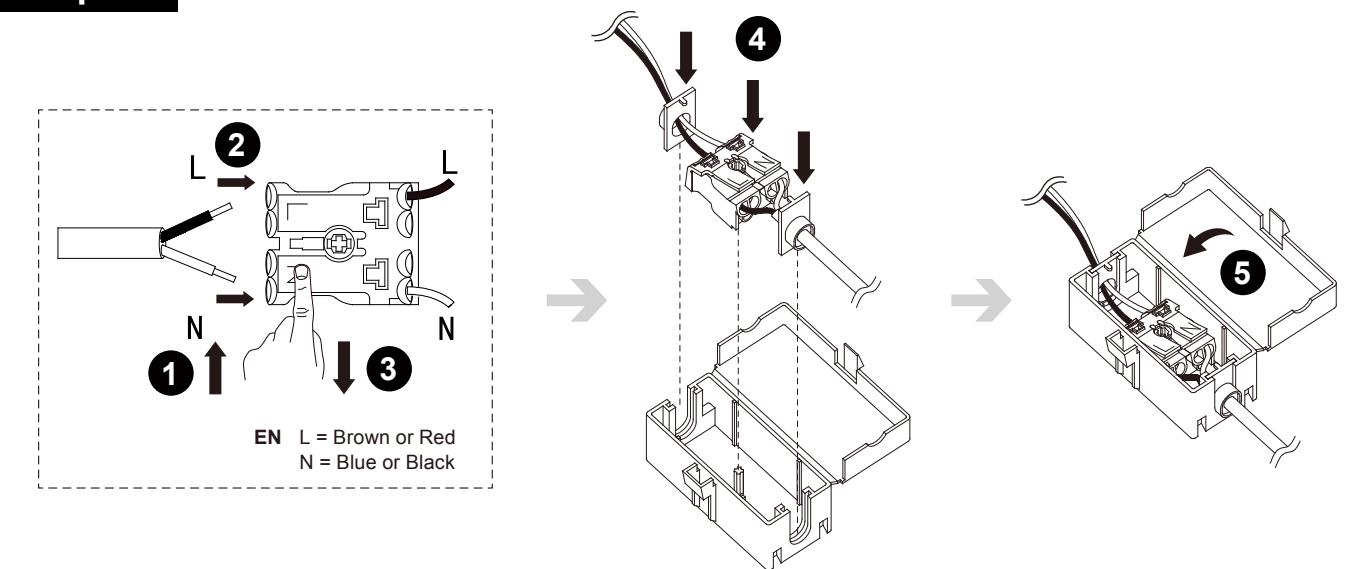
Step 1



Step 2



Step 3



Step 4

